

## GM-GMSML Grand Series Mini Slam Latch

### Features

- New smaller self-closing latch
- Larger handle opening for comfortable grip
- Anti-rattle design
- Reversible backing plate for wide range of door thickness

### Material

- Stainless steel 316

### Parts Included

- Installation screws (size #6)
- Watertight gasket provided

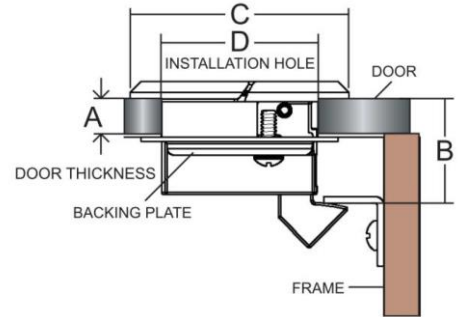
### Sold Separately

- Key for locking model - **GM-GMSML-J707938**
- 3 mm spacer - **GM-GMSML-J105511**



GM-GMSML-A207851

GM-GMSML-A207802



Part No.	Shape	Type	A	B	C	D
GM-GMSML-A207801	Round	Non Locking	8 ~ 19	22	49	35
GM-GMSML-A207802		Locking				
GM-GMSML-A207851	Square	Non Locking				

## GM-GSSL Grand Series Slam Latch

### Features

- New smaller self-closing latch
- Larger handle opening for comfortable grip
- Anti-rattle design
- Adjustable slide ensures rattle free operation
- Reversible backing plate for wide range of door thickness

### Material

- Stainless steel 316

### Parts Included

- Installation screws (size #6)
- Watertight gasket provided

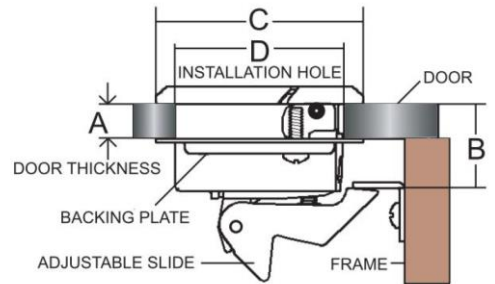
### Sold Separately

- 3 mm spacer - **GM-GSSL-J9305351**
- 8 mm spacer - **GM-GSSL-B007811**



GM-GSSL-B007871

GM-GSSL-B007812



Part No.	Shape	Type	A	B	C	D
GM-GSSL-B007811	Round	Non Locking	9 ~ 22	19 ~ 25	57	45
GM-GSSL-B007812		Locking				
GM-GSSL-B007871	Square	Non Locking				
GM-GSSL-B007872		Locking				